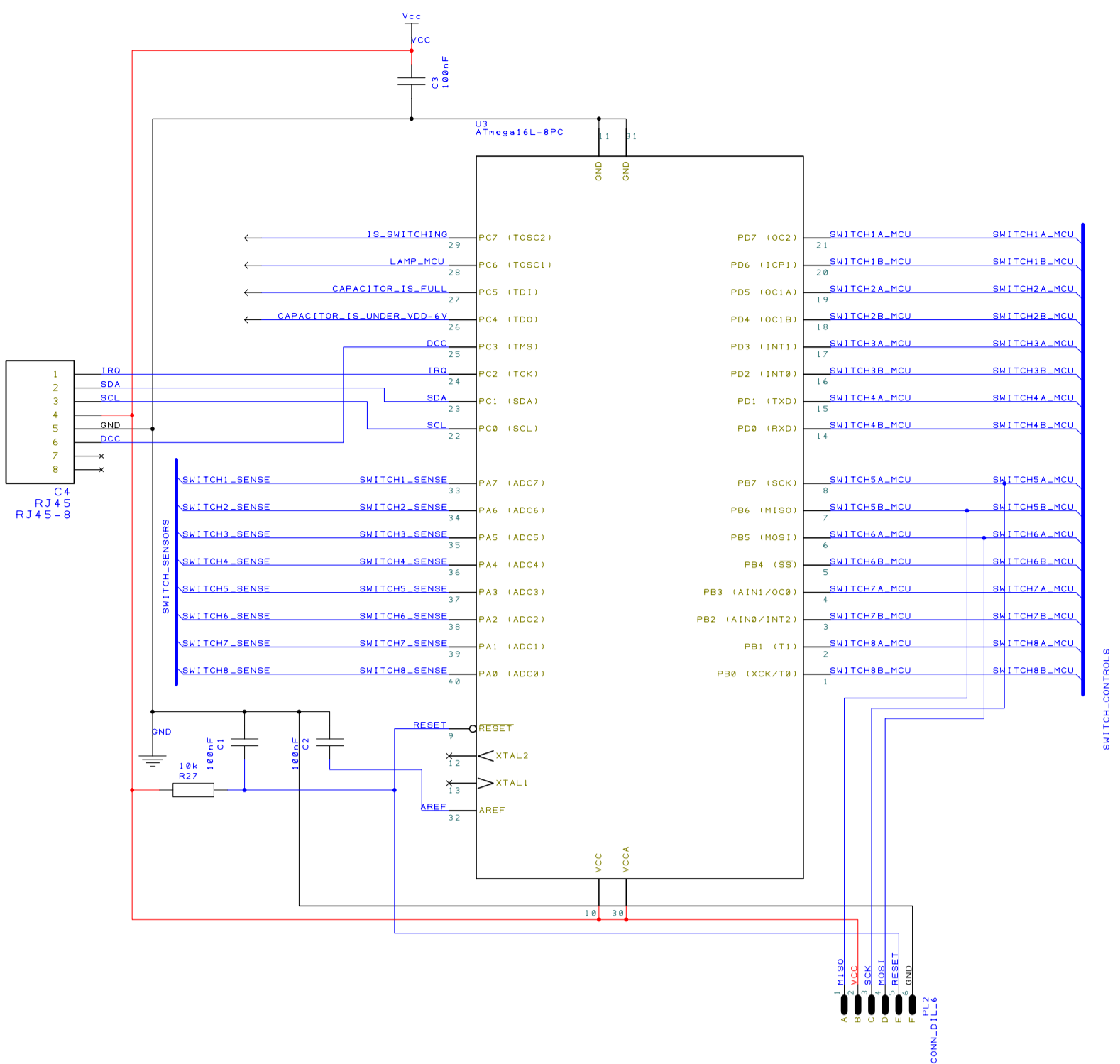
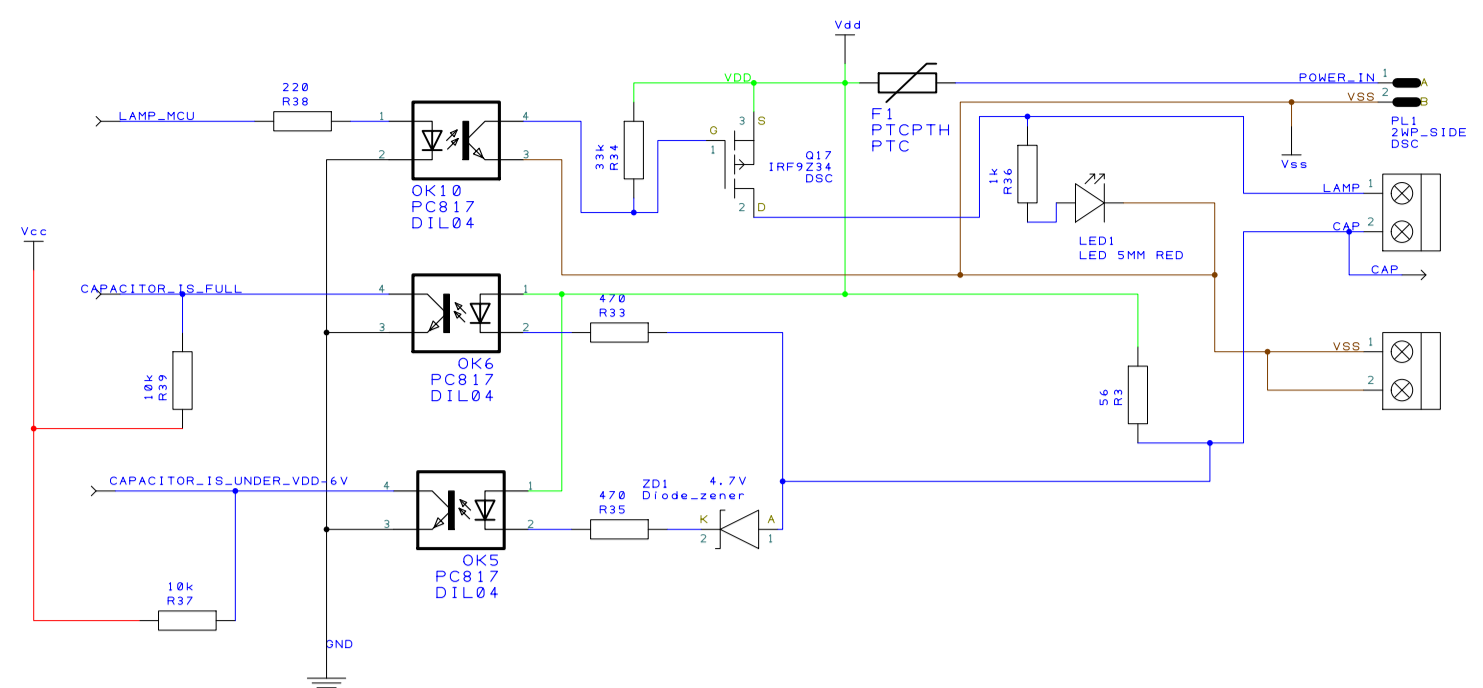


Switch Controller

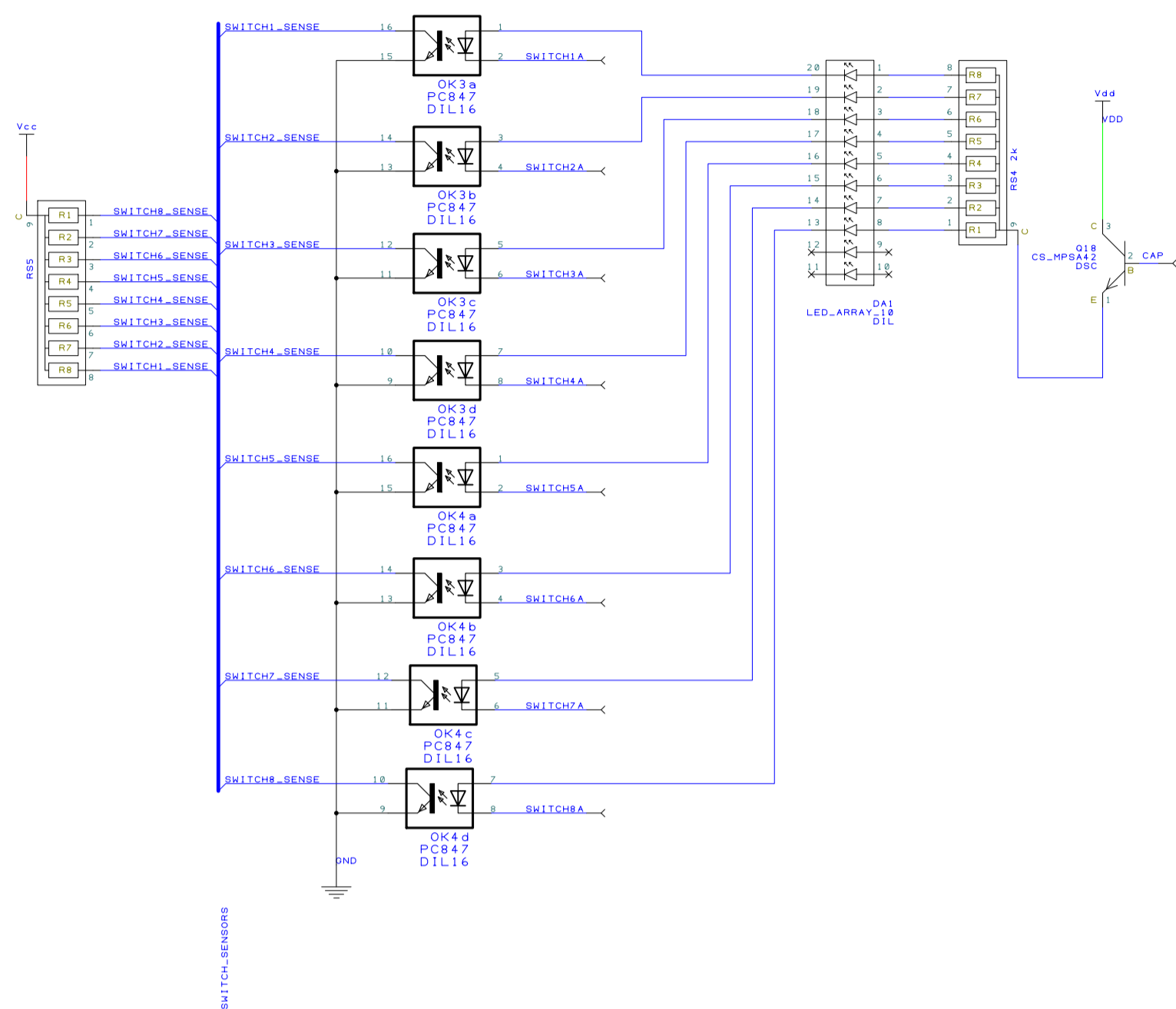
MCU and Logical Connectors



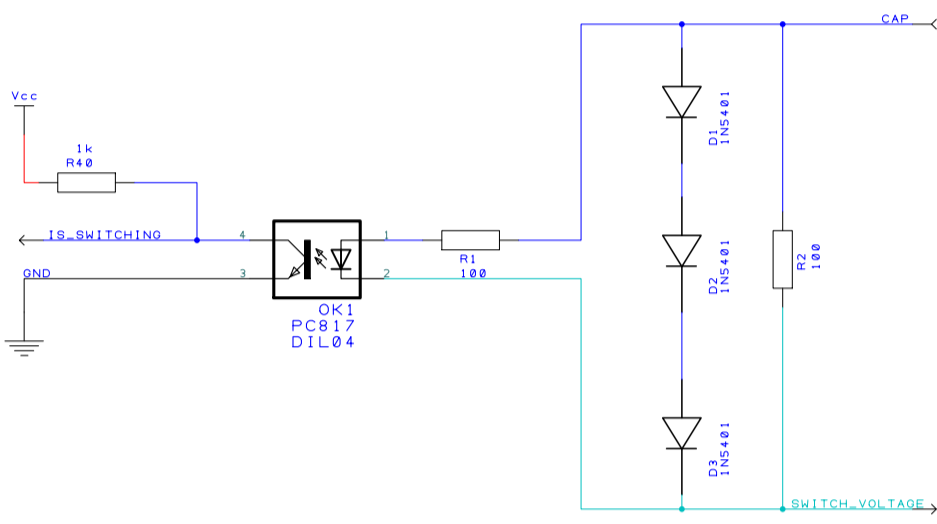
Capacitor Loader and Lamp



Switch State Detector



Termination Detector



Switcher

