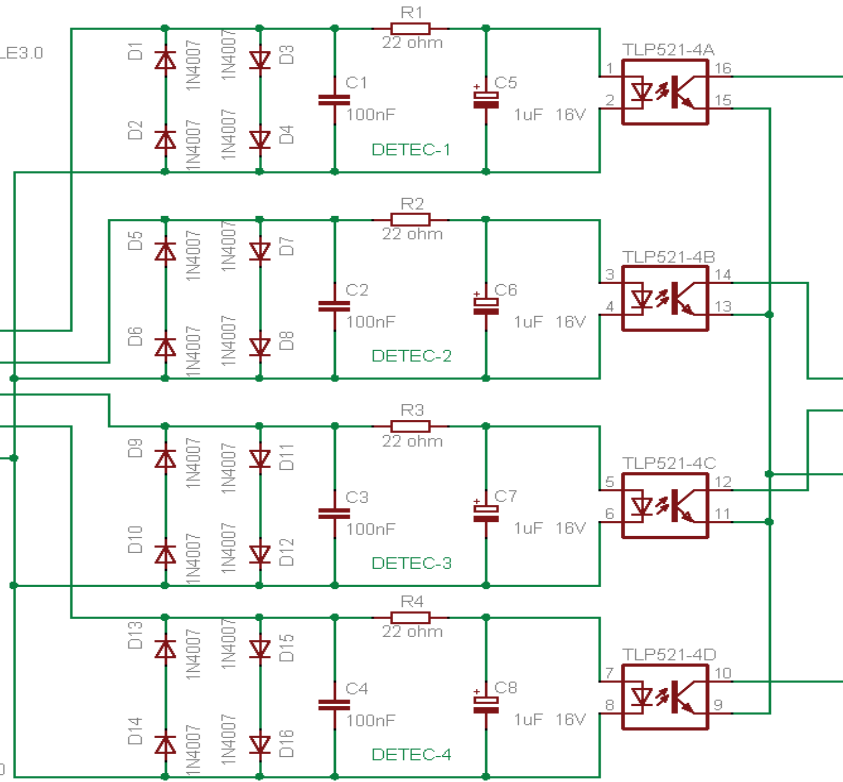


H1 MOUNT-HOLE3.0

H2 MOUNT-HOLE3.0



A LAS VIAS

- K 1 X1-1
- K 2 X1-2
- K 3 X3-1
- K 4 X3-2
- AL K DEL BOOSTER X3-3

DETECT-4

H4 MOUNT-HOLE3.0

AL S88

- X2-2 DETEC-1
- X2-1 DETEC-2
- X4-3 DETEC-3
- X4-2 DETEC-4
- X4-1 GND (Vss) del S88

H3 MOUNT-HOLE3.0